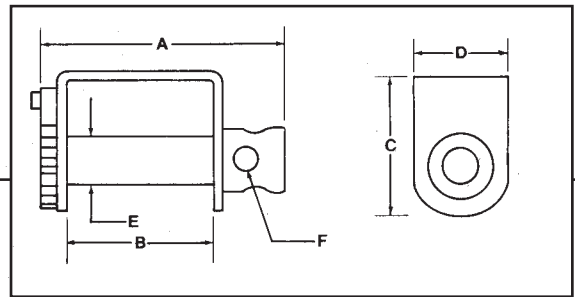
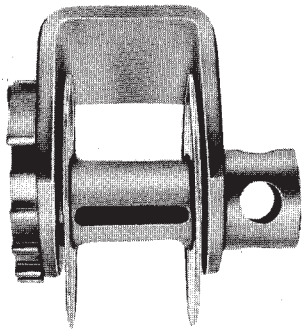


Cargo Winches



FIXED



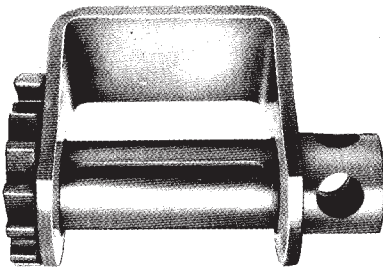
PART NO. 4820 - 2-3-4

Improved slotted mandrel with shoulder guides for use of loose end straps stored in straight friction-free roll. Capacity: 30' of 2" web.

Part No. 4820-3 designed for 3" web.
Part No. 4820-4 designed for 4" web.

DIMENSIONS:	A	B	C	D	E	F
INCHES:	6 $\frac{3}{8}$	2 $\frac{7}{8}$	6 $\frac{1}{4}$	3 $\frac{1}{2}$	1 29/32	15/16
	6 $\frac{3}{8}$	4 $\frac{7}{8}$	6 $\frac{1}{4}$	3 $\frac{1}{2}$	1 29/32	15/16

FIXED

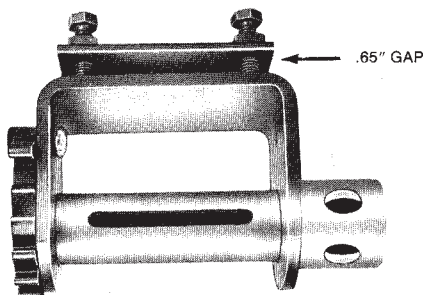


PART NO. 1820 - 4"

Regular fixed mount winch with heavy slotted mandrel designed exclusively for loose end straps. Weight 9 lbs.

DIMENSIONS:	A	B	C	D	E	F
INCHES: (1820)	8 $\frac{1}{8}$	4 $\frac{7}{8}$	5 $\frac{1}{2}$	3 $\frac{1}{2}$	1 29/32	15/16
(1820S)	8 $\frac{1}{8}$	4 $\frac{7}{8}$	7 $\frac{1}{2}$	3 $\frac{1}{2}$	1 29/32	15/16

PART NO. 1820P2 - 4



Movable side channel mount secured by heavy duty locking screws. Slotted mandrel especially designed for loose end (pull thru) straps. Weight 10.0 lbs.

DIMENSIONS:	A	B	C	D	E	F
INCHES:	8 $\frac{1}{8}$	4 $\frac{7}{8}$	5 $\frac{1}{2}$	3 $\frac{1}{2}$	1 29/32	15/16

Other sizes available upon request.

WINCH BARS

