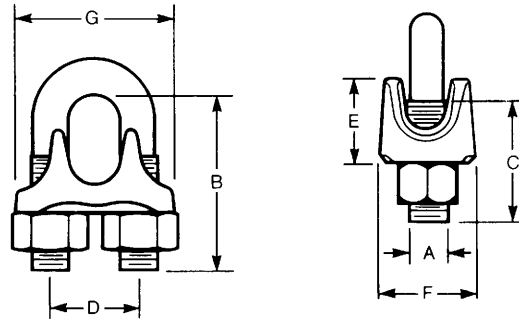


DROP FORGED WIRE ROPE CLIPS

Ratings are stated in short tons (2,000 lbs) or pounds All dimensions are in inches and pounds unless otherwise indicated
Approximate dimensions shown Contact us for specific dimensions, as they may differ between manufacturers



Hot galvanized, sizes 1/4" and larger according to Federal Specification FF-C-450 D, Type 1, Class 2.

Size in Inches	Min. Clips Reqd.	Inches of Wire Rope to turn back	Torque in Foot Lbs.*	Dimensions in Inches							Approx. Weight in Pounds
				A	B	C	D	E	F	G	
1/8**	2	3-1/4	4.5	.19	.75	.44	.44	.38	.81	.94	.05
3/16**	2	3-3/4	7.5	.25	.94	.56	.56	.50	.94	1.19	.10
1/4	2	4-3/4	15.0	.31	1.06	.56	.75	.63	1.19	1.50	.18
5/16	2	5-1/4	30.0	.38	1.44	.75	.88	.75	1.31	1.69	.31
3/8	2	6-1/2	45.0	.44	1.50	.75	1.00	.88	1.56	1.94	.46
7/16	3	7	65.0	.50	1.88	1.00	1.19	1.00	1.81	2.31	.73
1/2	3	11-1/2	65.0	.50	1.88	1.00	1.19	1.06	1.81	2.31	.73
9/16	3	12	95.0	.56	2.38	1.25	1.31	1.13	2.06	2.50	.96
5/8	3	12	95.0	.56	2.38	1.25	1.31	1.25	2.06	2.50	1.00
3/4	4	18	130.0	.63	2.75	1.38	1.50	1.38	2.31	2.75	1.50
7/8	4	19	225.0	.75	3.19	1.44	1.81	1.69	2.63	3.31	2.44
1	5	26	225.0	.75	3.63	1.75	1.88	1.75	2.63	3.47	2.70
1-1/8	6	34	225.0	.75	4.00	2.00	2.00	1.88	2.81	3.56	3.10
1-1/4	7	44	360.0	.88	4.38	2.25	2.31	2.06	3.25	4.06	4.60
1-3/8	7	44	360.0	.88	4.63	2.31	2.38	2.25	3.44	4.25	5.20
1-1/2	8	54	360.0	.88	4.94	2.38	2.63	2.50	3.50	4.38	5.90
1-3/4	8	61	590.0	1.13	5.88	2.75	3.06	2.88	3.75	5.25	9.80
2	8	71	750.0	1.25	6.50	3.00	3.31	3.38	4.44	5.81	13.75
2-1/4	8	73	750.0	1.25	7.13	3.31	3.88	3.81	4.50	6.31	15.70
2-1/2	9	84	750.0	1.25	7.75	3.38	4.13	4.25	4.50	6.44	17.90
2-3/4	10	100	750.0	1.25	8.31	3.50	4.38	5.00	5.00	6.75	22.00
3	10	106	1,200.0	1.50	9.19	3.88	4.75	5.25	5.31	7.56	32.00

* Based on clean, unlubricated threads. The table shows the minimum torque required to reach the maximum holding power of the wire rope clip.

** U-bolts and Nuts are zinc plated.

For complete installation instructions see the WIRE ROPE CLIP ATTACHMENT page of this catalog.

CAUTION: Never use any wire rope clip to directly connect two straight lengths of wire rope.