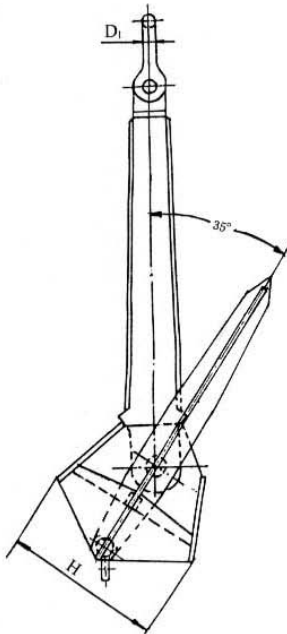
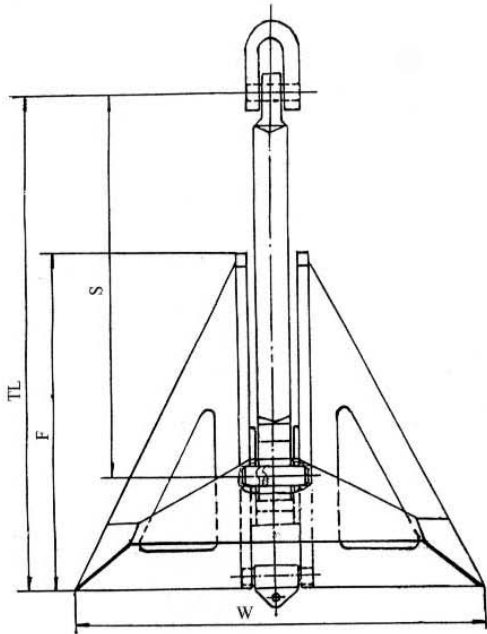


Anchors - Delta Anchor



NOMINAL WEIGHT kg	Dimensions in mm						PROOF LOAD kn
	TL	W	F	H	S	D ₁	
300	1380	1200	960	465	1080	45	98
500	1725	1500	1200	570	1350	48	143
750	1950	1700	1360	650	1530	50	198
1000	2150	1870	1500	710	1680	62	250
1500	2460	2140	1710	815	1920	70	350
2000	2715	2360	1890	900	2125	75	435
2500	2925	2540	2035	970	2290	80	510
3000	3105	2700	2160	1030	2430	90	576
3500	3240	2845	2280	1087	2565	90	635
4000	3375	2953	2315	1140	2650	100	686
5000	3658	3200	2560	1225	2900	110	776
6000	3935	3405	2720	1310	3125	110	875
7000	4120	3580	2860	1360	3220	117	968
7500	4215	3666	2925	1390	3295	124	1005
8000	4315	3750	3000	1425	3380	130	1048
9000	4490	3874	3120	1480	3512	135	1108
10000	4725	4100	3280	1560	3690	140	1172
11000	4868	4140	3310	1600	3750	145	1238
12000	4960	4275	3420	1640	3860	150	1300
13500	5120	4450	3560	1700	4000	155	1408
15000	5345	4600	3685	1735	4160	160	1520
18000	5678	4890	3919	1840	4418	170	1710
20000	5880	5065	4050	1900	4570	175	1840

The anchor in intermediate size may be furnished on request