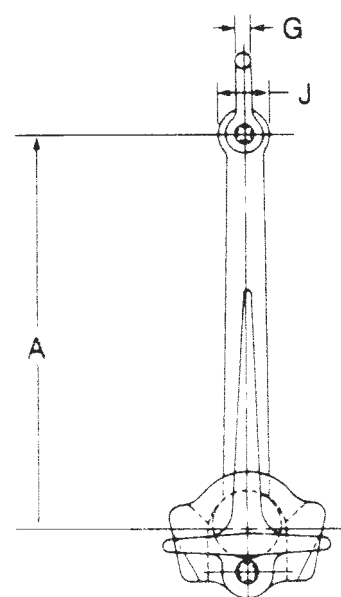
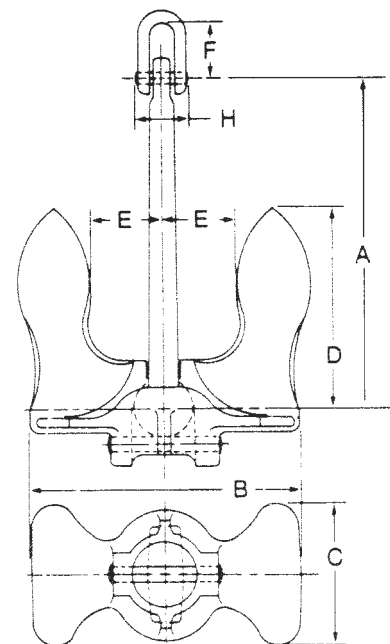


Anchors - Stockless

Anchor Weight	Specifications are in pounds and inches.									Proof Test
	A	B	C	D	E	F	G	H	J	
200	27	18	9-1/2	15-1/8	5-1/8	5-1/2	1	5	4	8300
300	32	23-1/4	11-11/16	17-3/16	6-11/16	5-1/2	1	5	4-1/2	10900
400	32	25-3/4	13	19	7	5-1/2	1	5	4-1/2	10300
500	35	26-1/2	14	20	7	7	1-1/4	6	5-1/2	15000
700	38	29-1/2	15-5/8	23-1/2	8-1/8	7	1-1/4	6	5-3/4	18700
775	38	32	16-7/8	24-3/4	8-5/8	7	1-1/4	6	5-3/4	20500
900	42	32	17	34	9	7-1/2	1-1/2	6-1/2	6-1/2	22300
1000	42	33-5/8	18	25-1/8	9-3/4	7-1/2	1-1/2	6-1/2	6-1/2	24100
1260	46	36-3/8	18-3/4	28-3/8	9-7/8	8-1/2	1-3/4	7-1/2	6-3/4	28800
1430	49	39	20	28-7/8	10-3/4	9-3/4	2	8-1/2	7	31700
1540	49	40	20-1/2	30-1/2	11	9-3/4	2	8-1/2	7	33600
1600	49	40	20-1/2	30-1/2	11	9-3/4	2	8-1/2	7	34600
1750	52	41-1/2	21	33-1/4	11-3/8	9-3/4	2	8-1/2	7-1/4	37150
1875	52	43	22	34-3/4	12	9-3/4	2	8-1/2	7-1/4	38400
1950	52	43	22	34-3/4	12	9-3/4	2	8-1/2	7-1/4	40550
2100	58	44-3/4	23	35-3/8	12-1/8	9-3/4	2	8-1/8	7-1/2	43050
2500	58	44-3/4	23-1/4	35-3/8	12-1/8	9-3/4	2	8-1/2	7-1/2	49650
3000	64	47	25-1/2	36	12-3/4	12	2-1/2	10	8-3/4	57700
4000	70-5/8	53-1/4	27-1/2	39-1/4	14-1/2	12	2-1/2	10	9-1/2	72600
4500	70-5/8	56-3/4	29	42	15	12	2-1/2	10	9-1/2	79700
5000	76	57-1/2	30	42	15-5/8	15	3	12	10-1/4	86500
6000	76	63-1/2	33-1/4	47	17-1/4	15	3	12	10-1/4	99100
6300	76	63-1/2	33-1/4	47	17-1/4	15	3	12	10-1/4	102700
6500	82	63-1/2	33	47-5/8	17-1/4	15	3	12	10-3/4	105100
6750	82	65	33-3/4	48-3/4	17-5/8	15	3	12	10-3/4	107900
7000	82	66-5/8	34-3/4	49-3/4	18	15	3	12	10-3/4	110700
7600	82	67-1/2	34-3/4	49-3/4	18-1/8	15	3	12	10-3/4	117300
8100	93-1/2	68-1/4	35-1/4	49-7/8	18-1/4	17	3-1/2	13-1/4	11-1/2	122500
8600	93-1/2	68-1/2	35-3/4	50-1/2	18-1/2	17	3-1/2	13-1/4	11-1/2	127500
9000	96	70-1/4	36-3/8	51-3/4	19-1/8	17	3-1/2	13-1/4	11-1/2	131400
10000	96	75-1/2	39	58	21	19	4	14-3/4	12	140400
11000	96	75-1/2	39	58	21	19	4	14-3/4	12	148500
12000	96	76-3/4	40	58	20-3/4	19	4	14-3/4	12	156100
13000	98	76-3/4	40	58	20-3/4	19	4	14-3/4	12	163500
14000	103	80-1/2	44	60	22-1/4	19	4	14-3/4	13	170500
15000	103	86	46	65	24	19	4	14-3/4	13	176800
16000	108	86	46	65	24	19	4	14-3/4	13	182800
18000	112	88-1/4	48-1/4	65-5/8	24-3/4	22	4-1/2	16-3/4	13	194200
18900	112	88-1/4	48-1/4	65-5/8	24-3/4	22	4-1/2	16-3/4	13	198800
20000	112	96	50	72	26	22	4-1/2	16-3/4	14	204300
25000	120	103	53-3/4	77-1/2	28	22	4-1/2	16-3/4	15	227000
30000	128	110	57-1/4	82-1/2	29-7/8	24	5	18-3/4	16	247600
35000	135	116	60	87	31-1/2	25	5	19	17	265600
40000	140	121	63	91	33	26	5-1/2	20	17-1/2	278200
45000	147	126	65	94	34	27	5-1/2	21	18	287550
50000	152	131	68	99	35	28	6	21-1/2	19	292600



Dimensions vary among manufacturers. Please contact us for specific dimensions.

