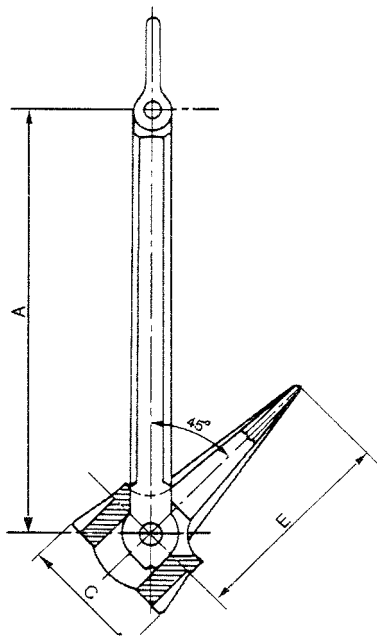
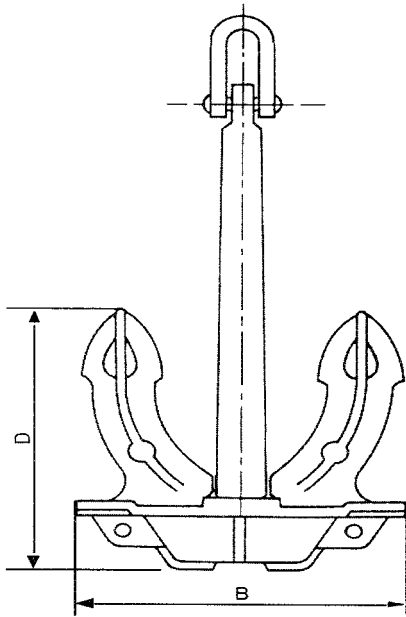


Anchors - Hall



KG	LBS.	A inches	B inches	C inches	D inches	E inches
50	110	22.6	16.1	7.2	14.9	11.8
100	220	28.5	20.1	9.1	18.7	14.8
125	275	30.7	21.7	9.6	20.1	15.9
180	396	35.0	24.6	11.1	22.8	17.9
225	495	37.4	26.4	11.8	24.5	19.4
325	715	42.3	29.8	13.3	27.7	21.9
450	990	47.2	33.3	14.7	30.9	24.4
700	1540	54.7	38.6	16.9	35.7	28.1
900	1980	58.7	41.5	18.9	38.1	30.4
1140	2508	63.0	44.3	20.2	40.8	32.5
1350	2970	66.9	47.4	21.7	44.1	35.0
1740	3828	75.2	50.8	22.9	48.7	37.2
2280	5016	80.3	56.9	25.2	52.4	40.7
2640	5808	85.4	59.8	26.5	55.1	42.7
3300	7260	91.7	64.4	28.9	59.4	46.5
3540	7788	91.9	65.0	26.5	60.2	47.6
4050	8910	97.1	68.5	28.0	63.5	50.3
4590	10098	110	74.4	30.7	67.3	53.7
5250	11550	107	75.2	33.3	69.3	54.5
6000	13200	129	80.0	32.6	73.9	56.0
6450	14190	115	80.6	35.7	74.2	57.5
6900	15180	115	81.3	36.7	75.0	59.5
7350	16170	121	84.6	37.4	78.0	60.5
7800	17160	123	85.8	38.0	79.1	61.3
8300	18260	126	88.4	34.2	81.5	63.1
8700	19140	128	89.4	39.6	82.6	64.0
9300	20460	130	91.0	40.3	83.8	65.0
11700	25740	140	98.2	43.5	90.4	70.1
13500	29700	147	103	45.6	94.9	73.6
16100	35420	156	109	48.4	101	78.0
17800	39160	161	113	50.0	104	80.7
20000	44000	168	118	52.0	108	83.9
23000	50600	176	123	54.5	113	87.9
27500	60500	186	131	57.9	120	93.3

Dimensions vary among manufacturers. Please contact us for specific dimensions.