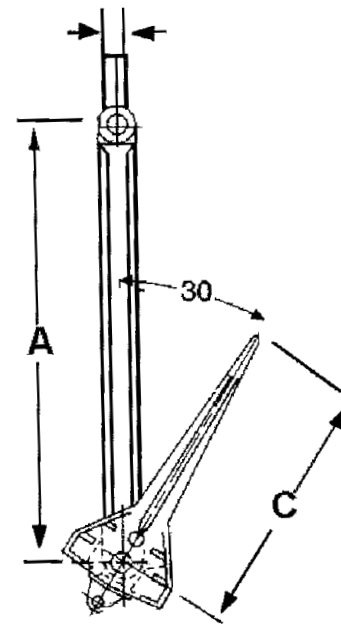
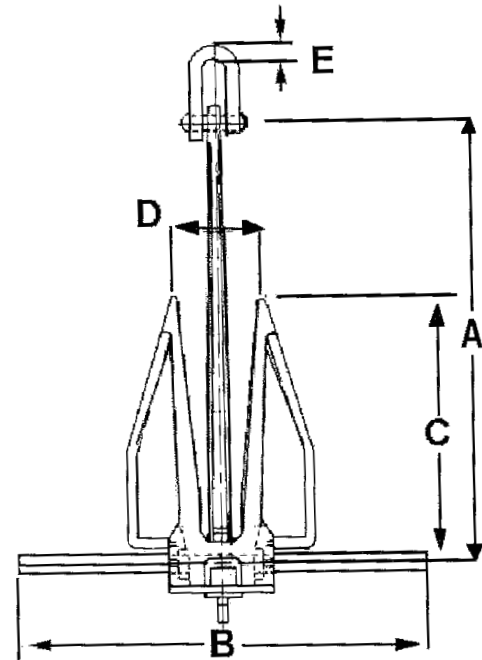


PROOF TEST LOAD FOR SUPERIOR HOLDING POWER ANCHORS

Anchor Weight	Specifications are in pounds and inches.					Proof Test
	A	B	C	D	E	
8	20	19	11-1/2	1-1/2	3/8	300
16	25	23-3/4	14-1/2	1-7/8	1/2	560
30	30-1/4	28-3/4	17-1/2	1-7/8	1/2	1000
50	34-3/4	33	20	2-3/8	5/8	1500
75	38	36	22	2-1/2	3/4	2070
100	41-1/2	39-1/2	24	3-3/8	7/8	2608
150	46-3/4	44-1/2	27	4	7/8	4200
200	52-1/2	45-1/2	33	6-1/8	7/8	10100
300	56	48-1/2	36-3/4	13-1/2	1-1/8	13000
500	63	54-1/2	39-3/4	15-1/8	1-1/2	18300
750	67-1/2	58-1/2	44-11/16	16-1/2	1-1/2	24100
1000	72	62	45-3/8	18-3/4	2	30000
1500	77	70-7/8	51-3/16	19-3/8	2	41000
2000	83	71-3/4	52	22-5/8	2-1/2	52500
2500	89	84-1/2	59	27-3/4	2-1/2	62500
3000	94	89	59	28-3/4	3	72500
4000	104	98-3/4	65-1/2	30-3/4	3	90500
5000	112	106-1/2	70-1/2	36	3-3/8	105500
6000	118	112	74	37-1/4	3-3/4	121500
8000	129	122-1/2	77-3/8	40-1/2	4-1/8	145500
10000	138	131	87	43-3/4	4-1/2	165500
12000	145	145	91	46	4-3/4	183000
14000	152	152	95-3/4	48	5	198000
16000	160	160	101	50-1/2	5-1/4	210000
20000	172	163	108-3/8	54-1/2	5-5/8	233000
30000	197	187	112	62-1/2	6-1/2	278000
35000	207	196	118	66	6-1/2	289500
40000	216	205	123	69	7	296000
50000	232	222	133	75	7-1/2	309500
60000	246	235	141	80	7-1/2	321000
70000	258	247	148	84	8	336000
80000	271	259	156	88	8	349400
90000	282	269	162	92	8-1/2	362900
100000	293	280	168	96	8-1/2	376000



Dimensions vary among manufacturers. Please contact us for specific dimensions.