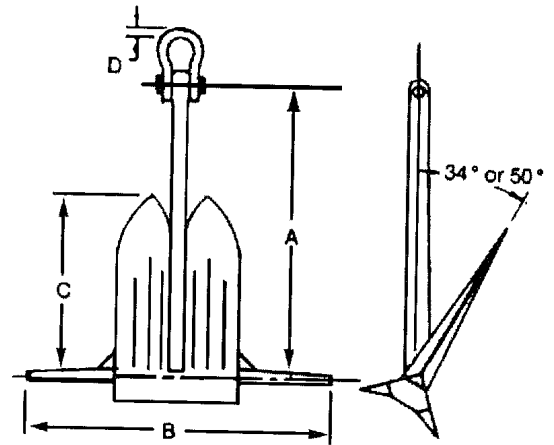


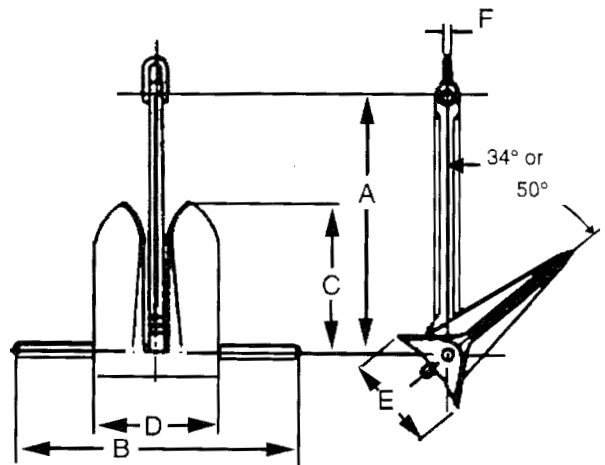
## STATO

Anchor Weight	Specifications are in pounds and inches.			
	A	B	C	D
3000	129	109	72	1-3/4
6000	144	143	92	2-1/4
9000	160	170	100	2-3/4
12000	186	197	113	3
15000	204	224	126	3-1/2
20000	210	230	129	3-3/4
25000	226	246	137	4
30000	235	257	145	5
35000	248	271	153	5-1/4
40000	258	283	160	5-1/2
45000	269	295	166	5-3/4
50000	277	303	171	6



## MOORFAST

Anchor Weight	Specifications are in pounds and inches.						Proof Test
	A	B	C	D	E	F	
1000	61	75	37	25	19	2	30000
3000	88	109	54	37	27	3	72500
6000	101	143	61	42	31	3-1/2	121300
8000	122	153	75	51	38	3-1/2	145000
10000	131	157	80	55	41	4	165600
12000	139	167	85	58	43	4	184700
14000	147	177	90	61	45	4	205000
16000	153	187	94	64	48	4-1/2	222700
20000	164	196	102	69	51	4-1/2	249400
30000	189	217	118	79	59	5	319400
40000	215	248	127	86	63	5-1/2	386000
50000	222	257	132	89	66	6	448300
60000	232	271	140	95	70	6	506200
70000	244	274	147	100	73	6	561400
80000	255	298	154	105	77	6-1/2	613300
90000	266	310	160	109	80	6-1/2	661200
100000	275	320	166	113	83	7	706400



Dimensions vary among manufacturers. Please contact us for specific dimensions.