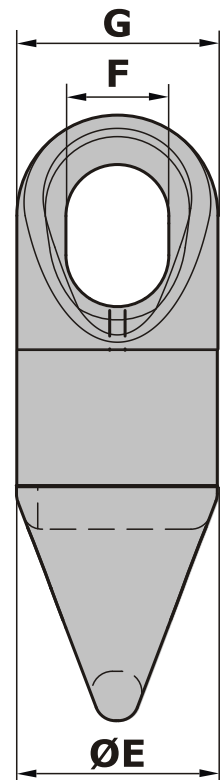
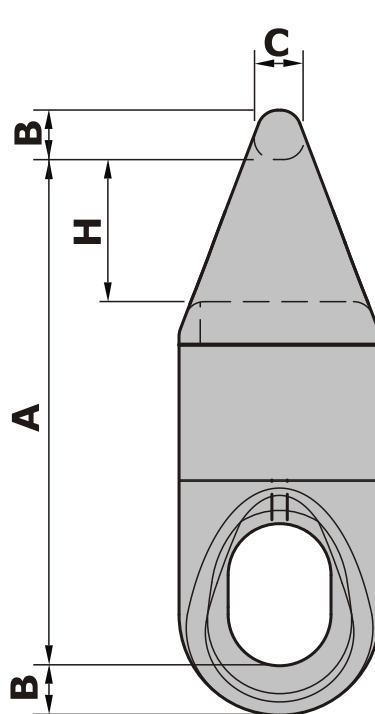
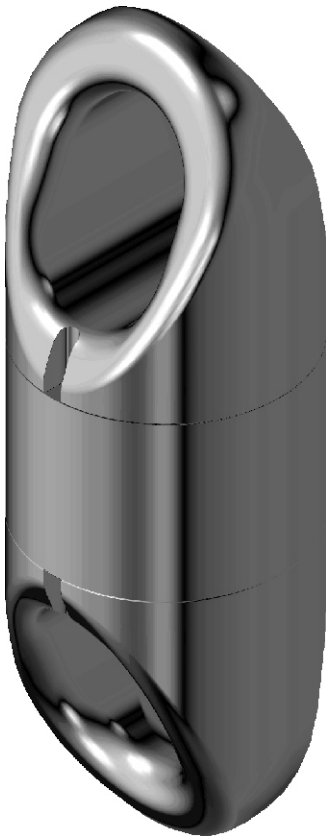


CR CHAIN SWIVEL

TYPE SW2

Material : High alloy steel
 Finish : Painted
 Certificates : 3.1B, proofload certificate



Art. no.	Size inch	MBL ton	PL ton	A mm	B mm	C mm	E mm	F mm	G mm	H mm
47020075	1"	75	30	340	40	40	110	47	110	90
47020125	1¼"	125	50	440	45	45	140	60	140	105
47020200	1½"	200	80	540	50	48	160	80	160	130
47020250	2"	250	100	625	55	50	220	115	220	165
47020300	2¼"	300	120	690	65	57	225	135	230	195
47020400	2½"	400	160	720	75	65	250	150	270	205
47020600	3"	600	240	835	85	75	300	175	342	240
47020800	3½"	800	320	965	105	95	330	205	360	285
47020900	4"	900	360	1055	110	100	360	225	380	320

Tolerance ± 5%