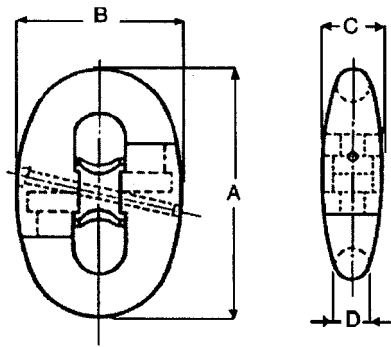


# Kenter Connector



$$A = 6d$$

$$B = 4.2d$$

$$C = 1.5d$$

$$D = 1.0d \text{ (Diameter)}$$

All dimensions in inches and pounds unless otherwise indicated.

NOMINAL DIAMETER (D)		A	B	C	WEIGHT	
Inches	mm	Inches	Inches	Inches	Lbs	Kg
3/4	19	4-1/2	3-1/4	1-1/4	2.40	1.09
7/8	22	5-1/4	3-3/4	1-1/4	3.80	1.75
1	25	6	4-1/4	1-1/2	4.80	2.50
1-1/8	29	6-3/4	4-3/4	1-3/4	10.50	4.80
1-1/4	32	7-1/2	5-1/4	2	11.00	5.00
1-3/8	34	8-1/4	5-3/4	2	14.30	6.50
1-1/2	38	9	6-1/4	2-1/4	19.80	9.00
1-5/8	42	9-3/4	6-3/4	2-1/2	26.50	12.00
1-3/4	44	10-1/2	7-1/4	2-3/4	30.90	14.00
1-7/8	48	11-1/4	8	2-3/4	39.70	18.00
2	51	12	8-1/2	3	46.30	21.00
2-1/8	54	12-3/4	9	3-1/4	52.90	24.00
2-1/4	58	13-1/2	9-1/2	3-1/2	68.00	31.00
2-3/8	60	14-1/4	10	3-1/2	75.00	34.00
2-1/2	64	15	10-1/2	3-3/4	83.80	38.00
2-5/8	67	15-3/4	11	4	90.40	41.00
2-3/4	70	16-1/2	11-1/2	4-1/4	115.70	52.40
2-7/8	73	17-1/4	12	4-1/4	132.30	60.00
3	76	18	12-1/2	4-1/2	154.30	70.00
3-1/2	89	21	14-3/4	5-1/4	249.10	113.00
4	102	24	16-3/4	6	359.40	163.00