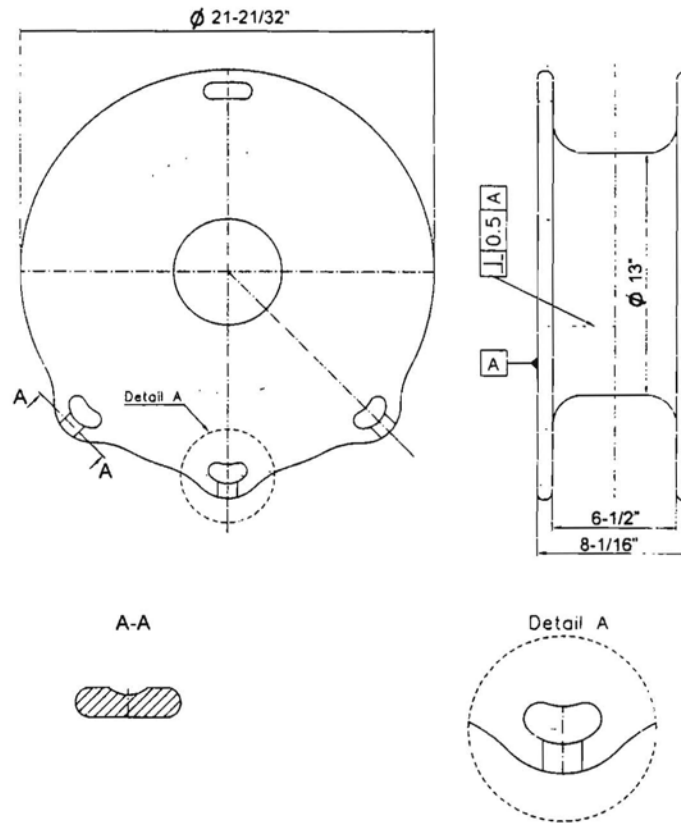
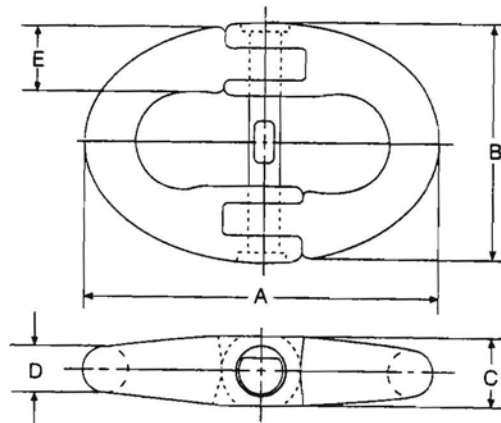


ROULETTE THIMBLE (710 Ton)



HINGE LINK

For wire rope, closed spelter sockets and thimbles



All dimensions in inches and pounds unless otherwise indicated. Ton = 2,000 lbs

Wire Rope Size	Dimensions					Safe Working Load	Ultimate Load	Weight
	A	B	C	D	E			
2 - 2-3/8	22	14-1/8	4-1/4	3	4	110 Ton	550 Ton	163 lbs.

Approximate dimensions shown above. Contact us for specific dimensions, as they may differ between manufacturers