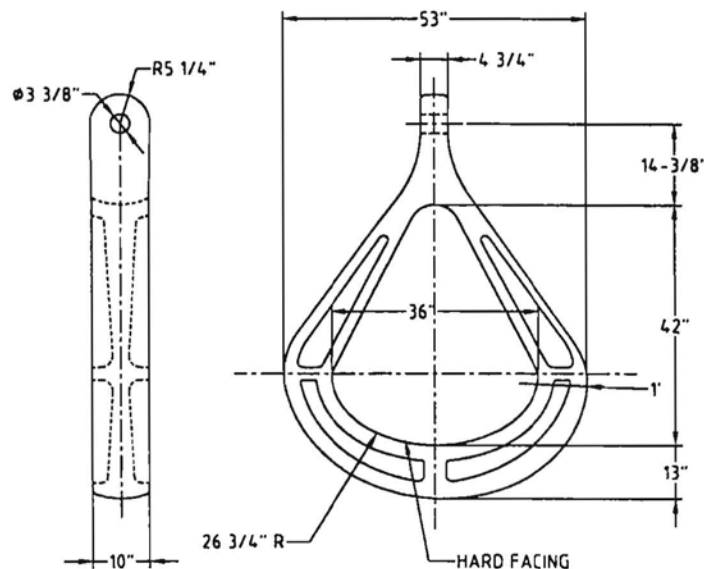


## CHAIN CHASERS

### 110 to 130 Ton Safe Working Load Permanent Type

All dimensions in inches and pounds unless otherwise indicated. Estimated Weight: 2,600 Lbs.

Approximate dimensions shown above. Contact us for specific dimensions, as they may differ between manufacturers.



### 110 to 130 Ton Safe Working Load Detachable Roller Type

All dimensions in inches and pounds unless otherwise indicated. Estimated Weight: 3,100 Lbs.

Approximate dimensions shown above. Contact us for specific dimensions, as they may differ between manufacturers.

