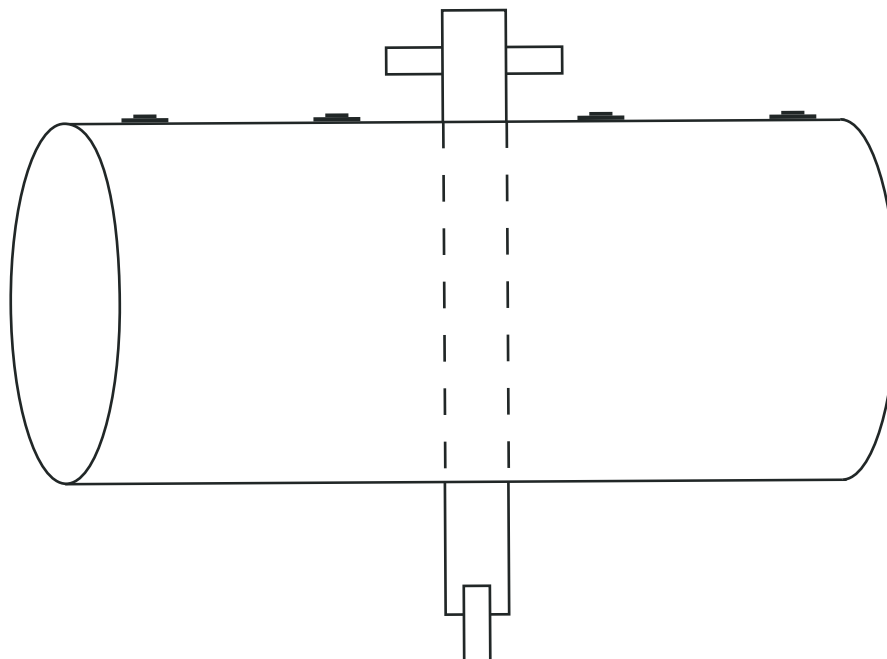


## BUOYS CYLINDRICAL STEEL



MOORING BUOY SPECIFICATIONS					
Description	Volume (Cubit Feet)	Net Buoyancy (Pounds)	Shipping Weight (Pounds)	Compartments	Additional Buoyancy per foot of length
5' x 8' x 1/4" Plate	157	7,300	2,600	two	1,030
7' x 8' x 3/8" Plate	308	13,600	5,600	two	2,000
7-1/2' x 9-1/2' x 3/8" Plate	419	19,300	6,800	two	2,300
8' x 10' x 3/8" Plate	502	22,800	8,500	three	2,600
10' x 12' x 3/8" Plate	942	45,300	13,500	three	4,500
10' x 12' x 1/2" Plate	942	42,000	16,800	three	4,100
10" x 16' x 3/8" Plate	1,257	59,000	17,750	three	5,800
10' x 16' x 1/2" Plate	1,257	56,000	20,750	three	5,500