

SHACKLES Safety Chain Shackles

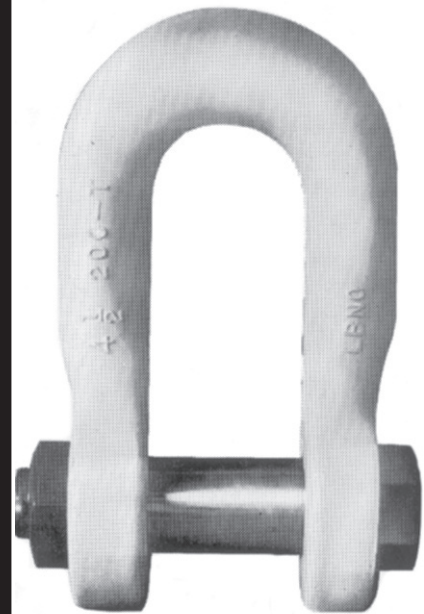


DCL PROPRIETARY PRODUCTS

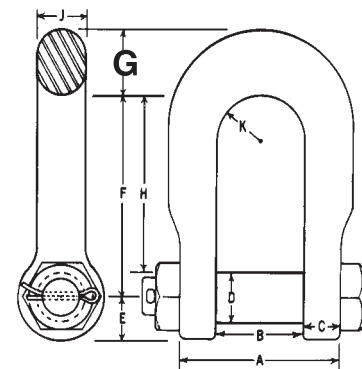
LBNO Safety Chain heavy duty Lifting Shackles are designed for extreme lifting applications. Notice how much greater the “G” dimensions are when compared to most standard shackles. This advantage eliminates any bending at this critical point, and provides the shackle with greater strength. LBNO Shackles are cast with a special high quality alloy steel to assure maximum strength. The tapered end of the alloy pin is carefully threaded the full width of the nut, eliminating the common problem of galled threads. All pins come with a safety nut secured by a cotter key to prevent backing off due to vibration.

When ordering Always Specify **LBNO Quality Shackles**. All of these advantages have been demonstrated over and over again, by outstanding on-the-job performance.

SAFETY CHAIN HEAVY DUTY LIFTING SHACKLES



LB 300



SAFETY CHAIN HEAVY DUTY LIFTING SHACKLE		CAST HIGH STRENGTH ALLOY STEEL										
Rated Capacity	DIMENSION IN INCHES											Weight LBS. - Ea.
	Size Inches	A	Jaw Width B	C	Pin D	E	F	G	H	J	K	
80	3	9	5	2	3-1/2	3-1/4	10-1/2	4-1/2	8-7/8	3	2-1/2	121
110	3-1/2	10-3/4	5-3/4	2-1/2	3-15/16	4	12-1/2	5	10-5/8	3-1/2	2-7/8	203
150	4	12-1/4	6-1/4	3	4-5/8	4-1/2	14-1/2	5-1/2	12-1/4	4	3-1/8	282
200	4-1/2	14-1/4	7-1/4	3-1/2	4-13/16	5-1/4	18	6	15-1/2	4-1/2	3-5/8	437
300	5	16-1/4	8-1/4	4	6	6	22-1/2	6	19-1/2	5	4-1/8	677

- MINIMUM ULTIMATE STRENGTH - 4 times rated capacity.
- Design Rated Capacity Permanently Marked on Every Shackle.
- Shackles can be furnished proof tested with certificate per requirements.
- Charges for proof testing and certification available on request.