

THIMBLE Heavy Duty Hawser Thimble



DCL PROPRIETARY PRODUCTS

LBNO Cast steel extra Heavy Duty Hawser Thimbles are designed for wire rope anchoring systems on offshore rigs and are often furnished for marine use on towing hawsers, as well as many industrial and construction applications. LBNO Hawser Thimbles prevent the wire rope eye from mashing together and wearing excessively. They have smooth, even grooves, and maximum high strengths at critical points. The generous inside dimensions allow for the Hawser Thimble to fit onto large shackles and crane hooks.

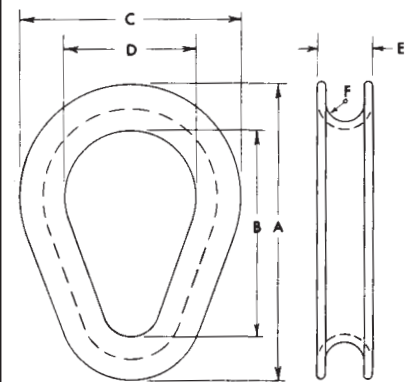
When ordering Always Specify **LBNO Quality Hawser Thimbles**. All of these advantages have been demonstrated over and over again, by outstanding on-the-job performance.

HAWSER THIMBLE GALVANIZED		CAST ALLOY STEEL						Weight Pounds Each
LBNO Number	Rope Diam. Inches	DIMENSION IN INCHES						
		A	B	C	D	E	F	
LB-237	$\frac{5}{8} - \frac{3}{4}$	$6\frac{7}{8}$	$4\frac{1}{2}$	5	3	$1\frac{3}{16}$	$\frac{13}{32}$	$3\frac{1}{2}$
LB-238	$\frac{7}{8} - 1$	$8\frac{5}{8}$	$5\frac{3}{4}$	$6\frac{1}{4}$	$3\frac{3}{4}$	$1\frac{7}{16}$	$\frac{17}{32}$	6
LB-239	$1\frac{1}{8} - 1\frac{1}{4}$	$10\frac{1}{8}$	$6\frac{3}{4}$	$7\frac{1}{4}$	$4\frac{1}{4}$	$1\frac{11}{16}$	$\frac{21}{32}$	$9\frac{1}{2}$
LB-241	$1\frac{3}{8} - 1\frac{1}{2}$	$12\frac{1}{8}$	8	$8\frac{3}{4}$	5	$2\frac{3}{16}$	$\frac{25}{32}$	$18\frac{1}{2}$
LB-242	$1\frac{5}{8} - 1\frac{3}{4}$	$12\frac{3}{4}$	8	$9\frac{1}{4}$	5	$2\frac{7}{16}$	$\frac{15}{16}$	24
LB-243	2	$14\frac{3}{4}$	$9\frac{1}{2}$	$10\frac{3}{4}$	6	$2\frac{11}{16}$	$1\frac{1}{16}$	$33\frac{1}{2}$
LB-244	$2\frac{1}{8} - 2\frac{1}{4}$	$17\frac{1}{8}$	11	$12\frac{1}{2}$	7	$3\frac{1}{8}$	$1\frac{3}{16}$	$53\frac{1}{2}$
LB-245	$2\frac{1}{2}$	$19\frac{1}{4}$	$12\frac{3}{4}$	$14\frac{1}{4}$	$8\frac{1}{4}$	$3\frac{7}{8}$	$1\frac{3}{8}$	$81\frac{1}{2}$
LB-246	3	$24\frac{1}{2}$	15	17	$9\frac{3}{8}$	$4\frac{15}{16}$	$1\frac{5}{8}$	$136\frac{1}{2}$
LB-247	$3\frac{1}{2}$	30	$19\frac{1}{2}$	20	$11\frac{1}{2}$	$5\frac{1}{2}$	$1\frac{7}{8}$	$216\frac{1}{2}$

Dimensions are in accordance with Standard Foundry Practice.



HEAVY DUTY
HAWSER THIMBLE



ISO Certified

